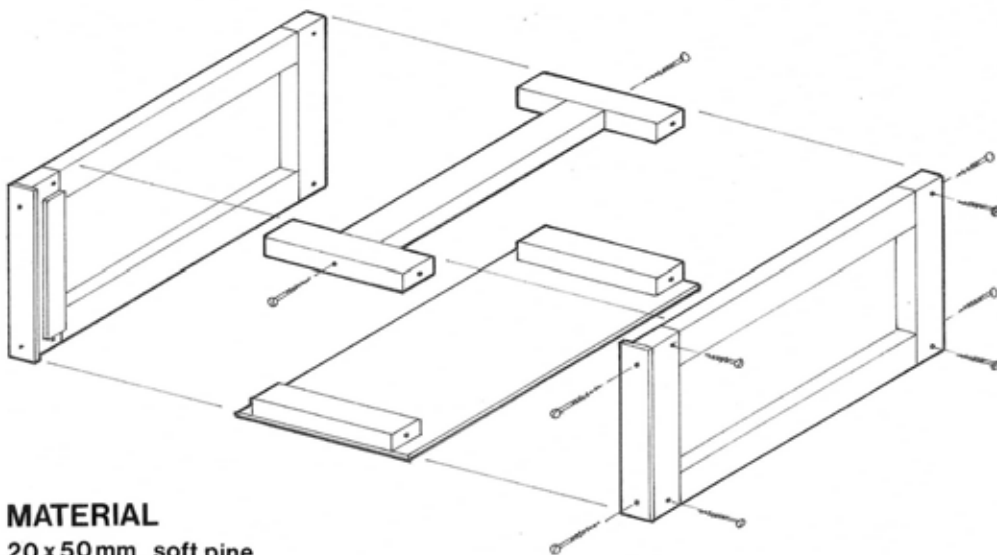


## HOW TO CONSTRUCT THE J AND K MANUAL CAT TRAP

This trap is useful for catching a particular cat or a mother with her kittens. The pull cord can be as long as you like, but test it beforehand to make the door shuts firmly.

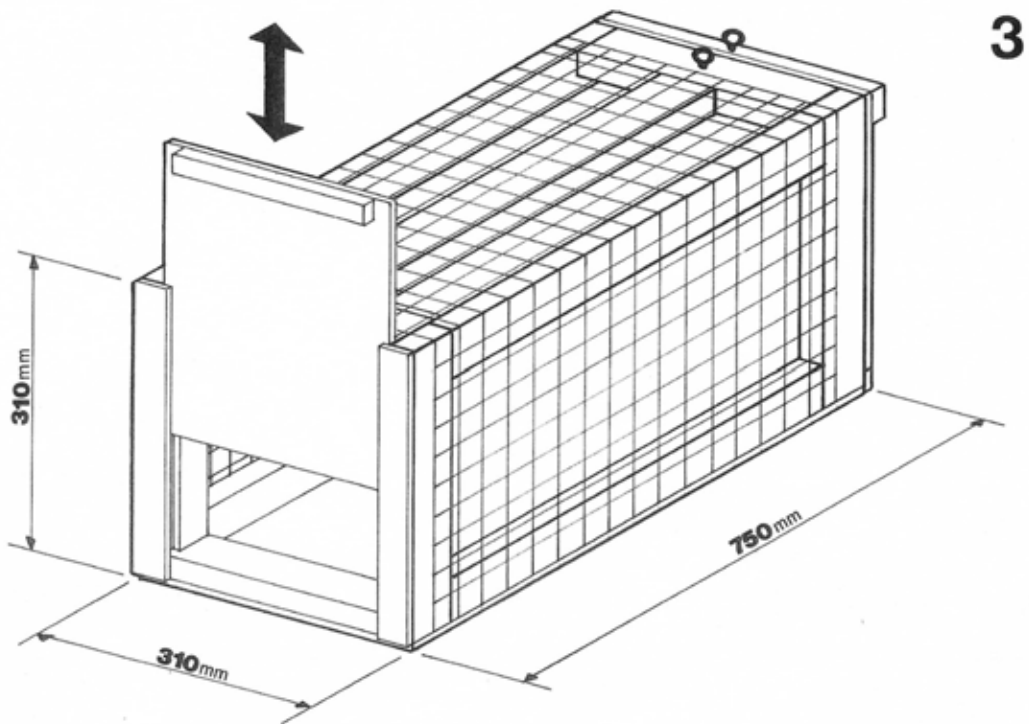
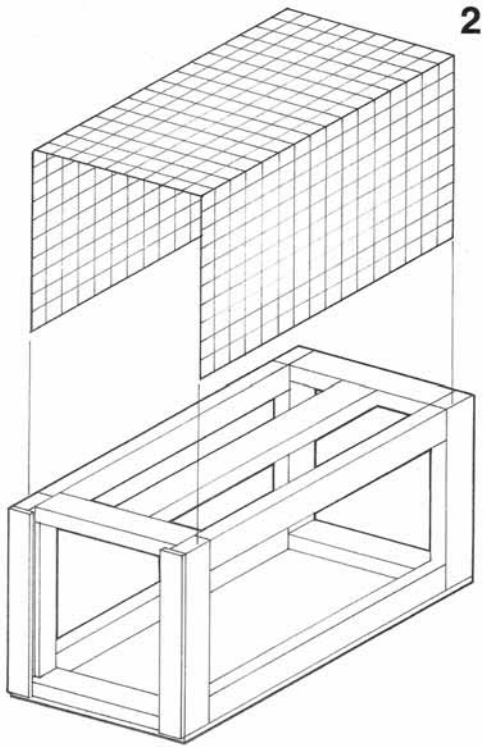


1

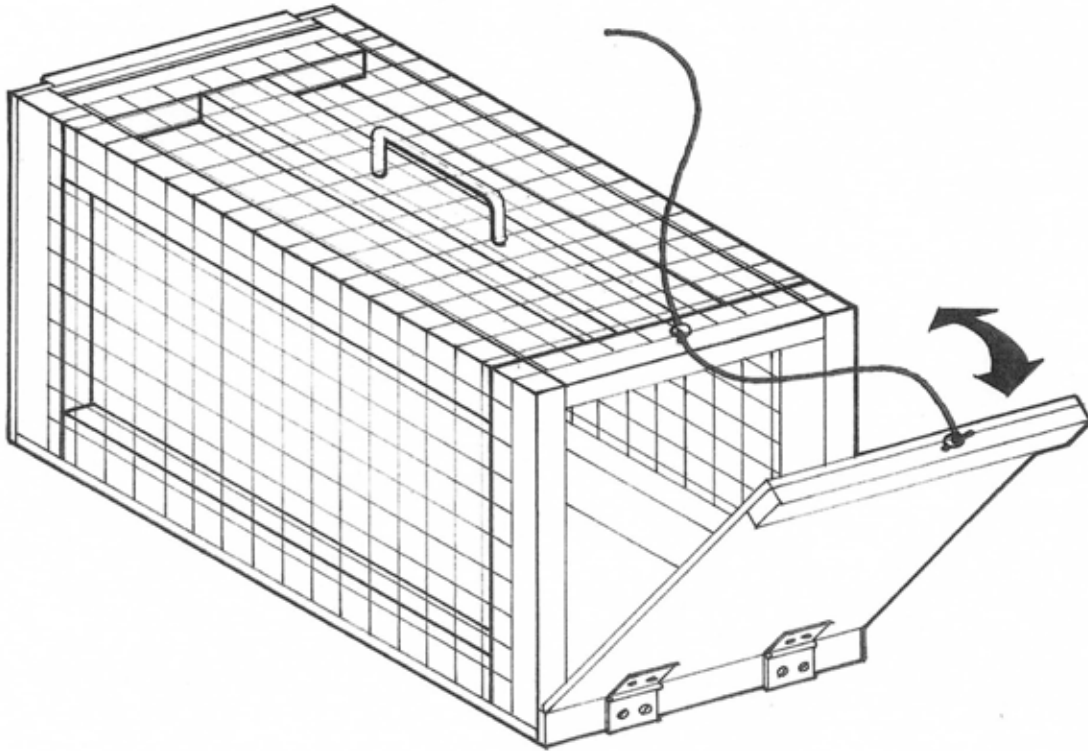


**MATERIAL**  
20 x 50mm soft pine  
6mm marine ply

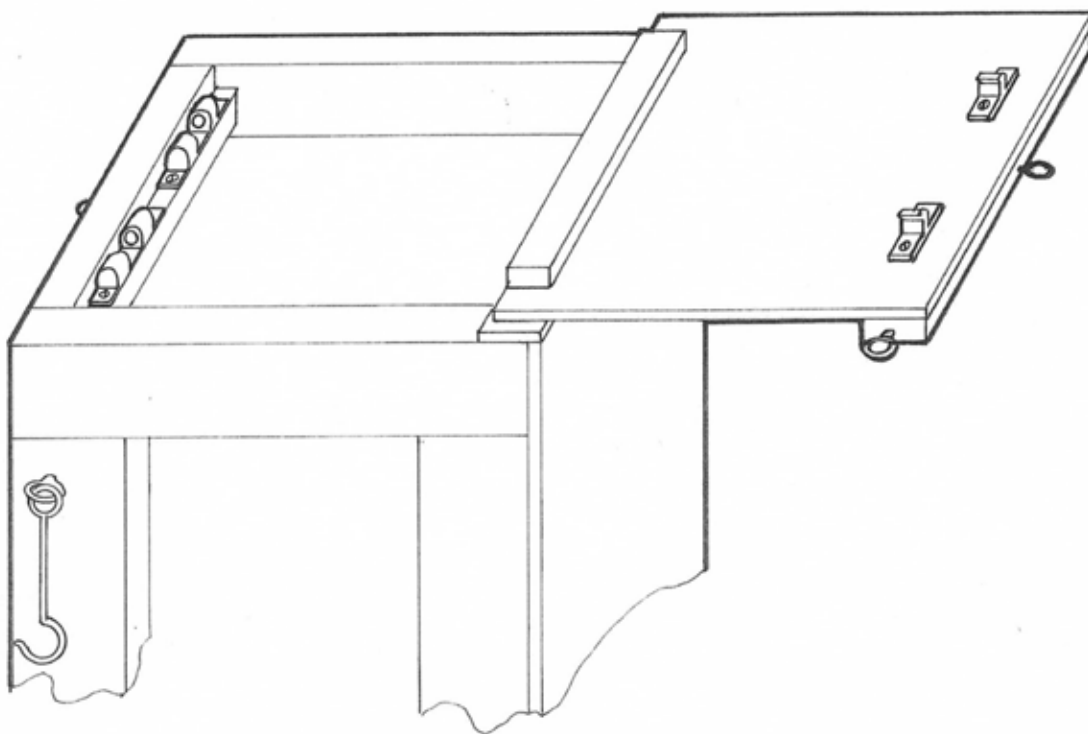
**Material:** stainless steel or galvanised wire mesh



4



5



For instructions in the use of the trap, see Best Practice on the website [www.snip-international.org](http://www.snip-international.org)